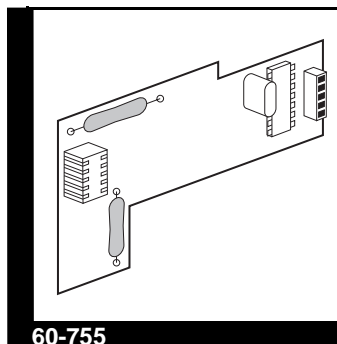


Document Number: 466-1518 Rev A.  
March 1998



## INSTALLATION INSTRUCTIONS

### Product Summary

The Power Line Carrier Card provides X-10 lamp module and wireless siren features with a plug-in card that is compatible with the following ITI<sup>®</sup> Learn Mode<sup>™</sup> security panels:

- Concord Hybrid Control Panel (60-734)
- Concord RF16 Wireless Control Panel (60-735-95R)

Additional features include the following:

- Communication with ITI Supervised Wireless Sirens and X-10 modules via existing AC electrical wiring
- Simple “plug-in” functionality
- Adds ITI Supervised Wireless Sirens compatibility for sirens in the event of an alarm
- Adds X-10 module compatibility for light control
- Light control by turning lights on either individually, simultaneously, or through programmed time schedules

## Installation Guidelines

Follow the installation guidelines listed below:

- The panel must be powered by a Line Carrier Power Transformer (P/N 60-762 or 60-779)
- Use 22 AWG (or larger) stranded wire to connect the transformer to the panel
- All X-10 modules and ITI Supervised Wireless Sirens must be plugged into electrical outlets on the same electrical phase
- Avoid plugging the ITI Supervised Wireless Sirens, transformers, and X-10 Lamp Modules into outlets that share major appliances, such as computers, microwave ovens, refrigerators, dryers, or washing machines
- The Power Line Carrier Card, X-10 Lamp Modules, and sirens require a programmed house code in order to operate

## Installation

This section describes how to install the Power Line Carrier Card.

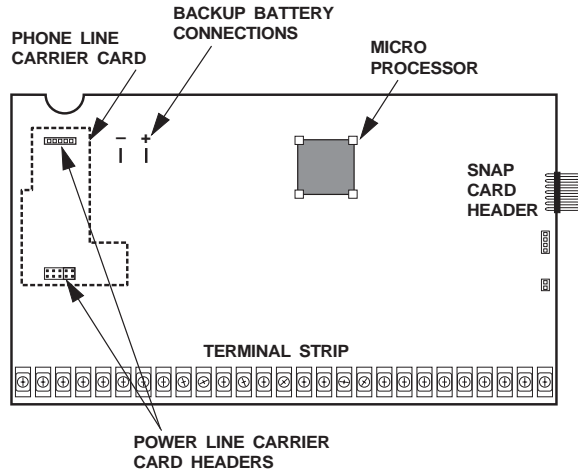
### Installing in Concord Systems

Complete the following steps to install the Power Line Carrier Card in both the Hybrid and Wireless Concord systems:

1. Open the panel door.

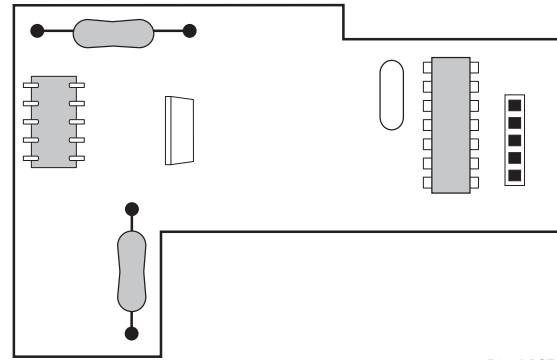
**WARNING:** Wear a grounding strap to prevent static electricity damage to the card and panel.

2. Unplug the AC power transformer and disconnect the panel backup battery.
3. Remove both  $\frac{1}{4}$ ” plastic jumpers that are protecting the Power Line Carrier Card headers on the panel circuit board (see either Figure 1 or Figure 2).



8615G03A.DSF

Figure 1. Concord Hybrid Panel Circuit Board



8615G01A.DSF

Figure 3. Power Line Carrier Card

**Note:** You can discard the jumpers, unless you plan to eventually remove the Power Line Carrier Card.

4. Insert the Power Line Carrier Card (see Figure 3) solder side down and gently press into the panel system board. (See either Figure 1 or Figure 2 for the proper location of the Power Line Carrier Card.)
5. Reconnect the panel's backup battery and AC power transformer.

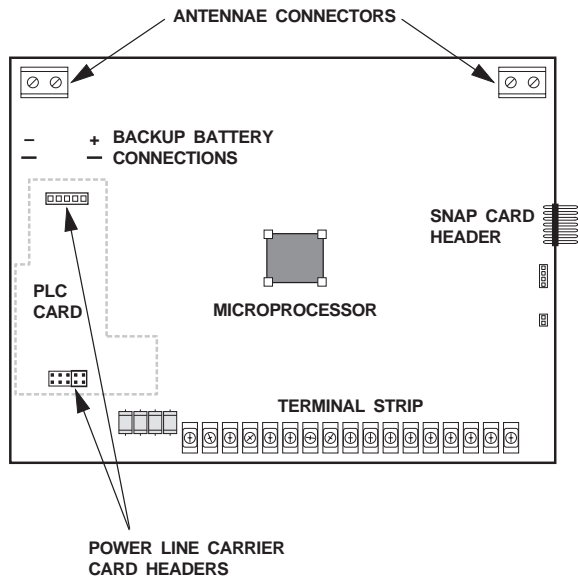
When the installation is complete, see the "Testing" section of this manual.

## Programming and Light Control

For complete programming information, refer to the specific panel's *Installation Instructions* or the *ITI Supervised Wireless Siren's Installation Instructions*.

## Testing

Test ITI Supervised Wireless Sirens by arming the panel, disarming it, bypassing sensors, etc. Test light control by turning lights on and off individually, simultaneously, or through programmed time schedules.



8615G04A.DSF

Figure 2. Concord RF16 Wireless Panel Circuit Board

## Troubleshooting

Table 1 describes problems you may experience after connecting devices to your panel. Possible solutions are listed in the Cause/Action column.

**Table 1. Troubleshooting**

Problem	Cause/Action
<i>The light or siren will not work.</i>	<p>1. <i>The power transformer is not line carrier compatible.</i> Replace it with a Power Line Carrier Transformer (60-672 or 60-779).</p> <p>2. <i>The house code is not programmed into the panel, ITI Supervised Wireless Sirens, or X-10 modules.</i> Verify that the proper house code is entered for all components. Program the proper house code if necessary.</p> <p>3. <i>Power Line Carrier isn't seated correctly.</i> Remove the card and gently press it back onto the panel circuit board.</p>

## Specifications

### Compatibility:

- Concord Hybrid Control Panel
- Concord RF16 Wireless Control Panel

### Power Requirements:

- Input Voltages: +5 and +12 VDC
- Output Voltages: 4.2 V, peak to peak, across 5 ohm load
- Current Draw: Nominal = 110 mA  
Idle = 10  $\mu$ A
- Dimensions: 2.95" x 1.95" x.875"  
(7.49 x 4.95 x 2.22 cm)
- Operating Temperature  
10° to 120° F  
(0° to 50° C)

## Notices

This equipment has been tested and found to comply with the limits for a class B device, pursuant to part 15 of the FCC Rules. These limits are designed to provide reasonable protection against harmful interference in a residential installation. This equipment generates, uses, and can radiate radio frequency energy and, if not installed and used in accordance with the instructions, may cause harmful interference to radio communications. However, there is no guarantee that interference will not occur in a particular installation. If this equipment does cause harmful interference to radio or television reception, which can be determined by turning the equipment off and on, the user is encouraged to try to correct the interference by one or more of the following measures:

- Reorient or relocate the receiving antenna on the radio or TV.
- Increase the separation between the equipment and receiver.
- Connect the equipment into an outlet on a circuit different from that to which the receiver is connected.
- Consult the dealer or an experienced radio/TV technician for help.



**INTERACTIVE TECHNOLOGIES, INC.**

**2266 SECOND STREET NORTH  
NORTH SAINT PAUL, MN 55109**

**T: 651/777-2690**

**F: 651/779-4890**

**W I R E L E S S**

**Security**

**Automation**

**Access Control**

ITI is a registered trademark of Interactive Technologies, Inc.

Learn Mode and Concord are trademarks of Interactive Technologies, Inc.